

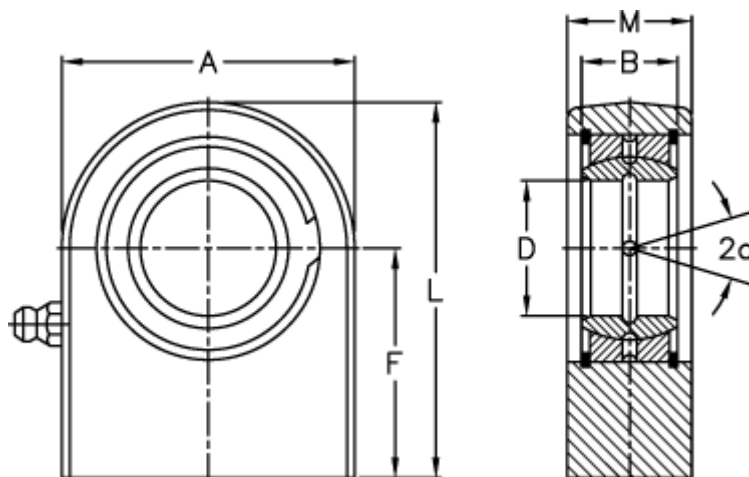
Data Sheet



Article number: 03556025

Description: Fluro hydraulic rod end FS 25N

Measures



A	= 55	Static load C0 (kN) = 69.5
a (degrees)	= 7	Weight = 500
B	= 20	
D	= 25	
Dynamic load C (kN)	= 48	
F	= 45	
L	= 72.5	
M	= 23	